

# POLYSTAINLESS

## COMPOSITE FENCING SPIGOT

glass  
outlet

IN ASSOCIATION WITH



BEYOND ARCHITECTURAL

**NEW!**

## POLYSTAINLESS POOL FENCING SPIGOT

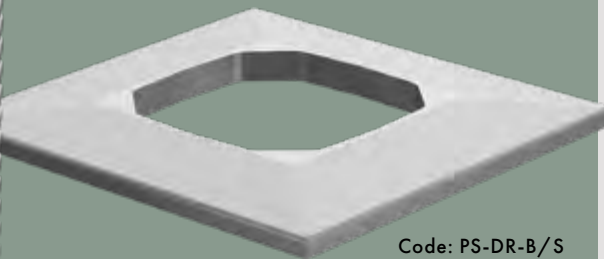
- NON-CONDUCTIVE
- NO EARTHING REQUIRED
- SAVE TIME & MONEY

The polystainless fencing spigot is made from extremely durable non-conductive composite material (patented product). Being non-conductive means there is no requirement for earthing under AS3000:2007 (equipotential bonding).

Years of research and development has led to the formulation of a new composite material giving a stainless steel feel and appearance. Other composites have a 'plastic' look and feel while also lacking in strength.

Polystainless is a genuine industry first product innovation which overcomes requirement of earthing spigots for pool fencing.

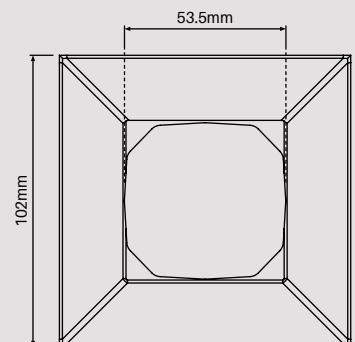
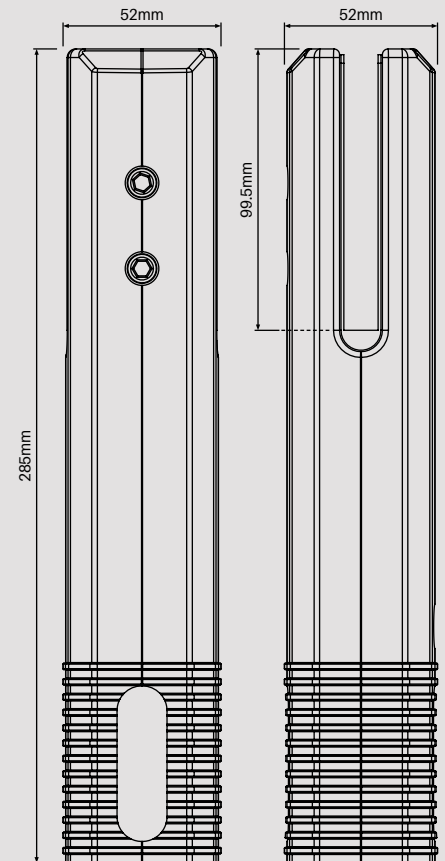
**Patented  
product!**



Code: PS-DR-B/S

Code: PS-S-B/S

## SPECIFICATIONS —



- No electrician required for earthing - save time and money!
- NATA tested in accordance with Australian Standards (AS1926.1 Safety Barriers for Pools)
- Made from ultra-robust, UV stabilised reinforced composite material giving a stainless steel feel and appearance (patented product)
- Composite construction – surface will not rust or corrode
- Suits 12mm thick glass panels
- Designed for core drill installations
- Recessed friction plate for ease of install
- Spigot and dress ring available in matt black or silver finish

**NO EARTHING REQUIRED**

**SAVE TIME & MONEY**

**STYLISH SPIGOT DESIGN**



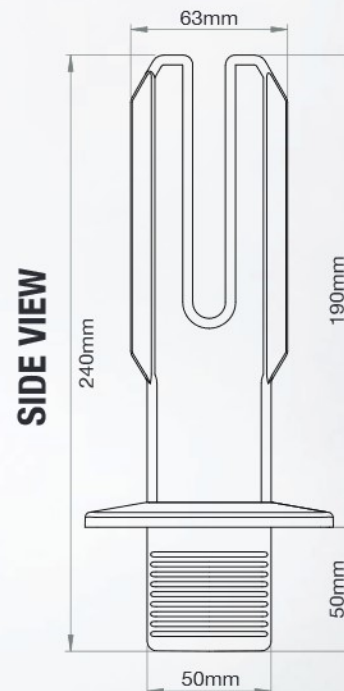
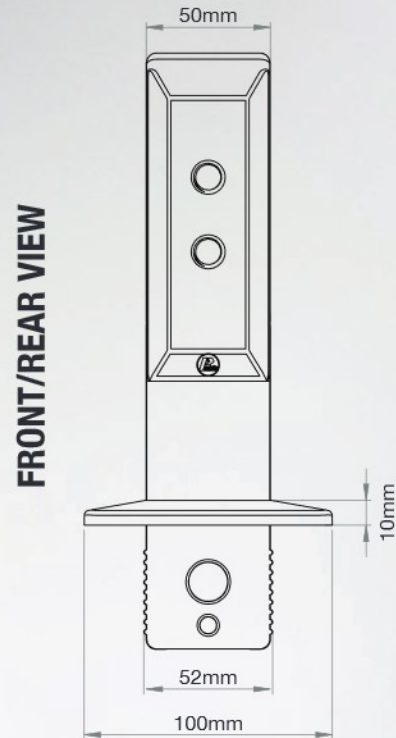
## Worlds first 100% composite fencing spigot requiring no earthing/grounding!

The composite fence spigot is designed specifically for inground glass fencing applications and due to its non-conductive composite construction, does not require earthing under AS3000.2007 equipotential bonding.

### Features

- ✔ No electrician required for earthing
- ✔ NATA tested in accordance with Australian Standards (AS1926.1 Safety barriers for pools).
- ✔ Made from ultra-robust, UV stabilised materials.
- ✔ 100% composite construction = will never rust or corrode.
- ✔ Suits 12mm thick glass applications.
- ✔ Designed for ground level installations.

### Dimensions



### Warranty

- ✔ 10 Years Warranty\*

