

RIO RANGE SS2205

Stainless steel 2205 is a superior duplex stainless steel which features elevated levels of chemical components enabling superior strength and corrosion resistance in harsh marine environments. The Rio range has been designed with superior strength and a classic round profile.



Core drill spigot

FRICION FIT

Polish or satin finish

Order Code: RIO-S-P (Polish)

RIO-S-S (Satin)

- Duplex stainless steel 2205
- Stylish round shape designed for maximum strength
- M10 bolt at bottom enables up to 60mm of vertical height adjustment, a contact point for earthing, and extra anchoring in footings (helpful when working with sand)
- Recessed single friction plate for neat finish & easy installation
- Tapered packer included (1mm to 1.5mm) to enable tilt adjustment of glass

Optional extras



Flat dress ring

Ø90mm outer

Polish or satin finish

Order Code: RIO-DR-P

RIO-DR-S



Domed dress ring

Ø102mm outer

Polish or satin finish

Order Code: RIO-SDC-P

RIO-SDC-S

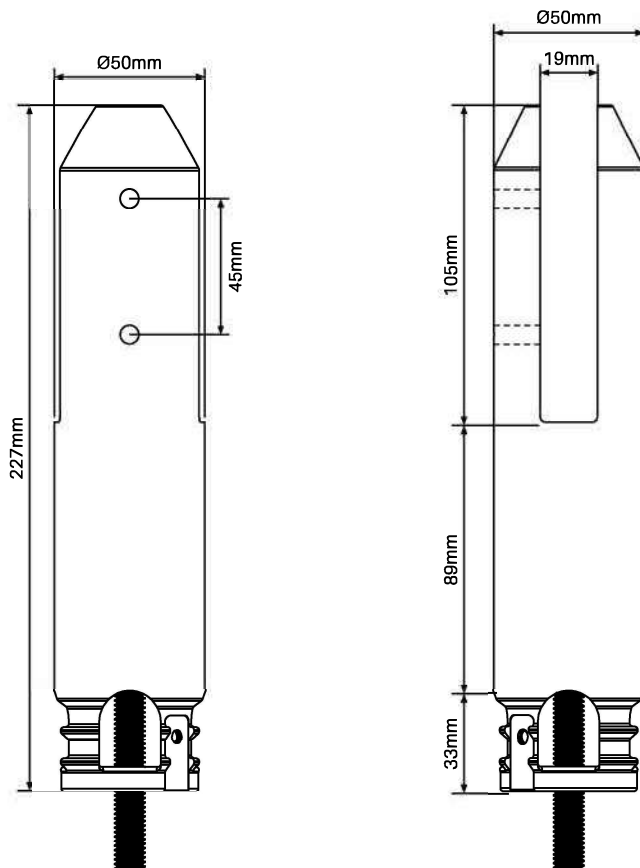


Did you know!

Stainless steel 2205 has far superior corrosion resistance properties and strength than SS316 grade.

This extra strength and corrosion resistance comes from the elevated levels of chromium, molybdenum and nitrogen.

It gets its name 'duplex stainless steel' as its microstructure is essentially half ferrite and half austenite.



RIO RANGE SS2205

Stainless steel 2205 is a superior duplex stainless steel which features elevated levels of chemical components enabling superior strength and corrosion resistance in harsh marine environments. The Rio range has been designed with superior strength and a classic round profile.



Base plated spigot

FRICION FIT

Polish or satin finish

Order Code: RIO-SBP-P (Polish)

RIO-SBP-S (Satin)

- Duplex stainless steel 2205
- Contemporary tapered top to comply with 'no toe hold' requirements
- Base plate has 4x countersunk holes to enable flush fixing. Countersunk timber screw available (hex head drive)
- Round shape with minimal visible fixings
- Recessed single friction plate for neat finish & easy installation
- Structure of spigot maximises strength
- Tapered packer included (1mm to 1.5mm) to enable tilt adjustment of glass

Optional extras



Slimline domical cover

Polish or satin finish

Order Code: RIO-SDC-P
RIO-SDC-S



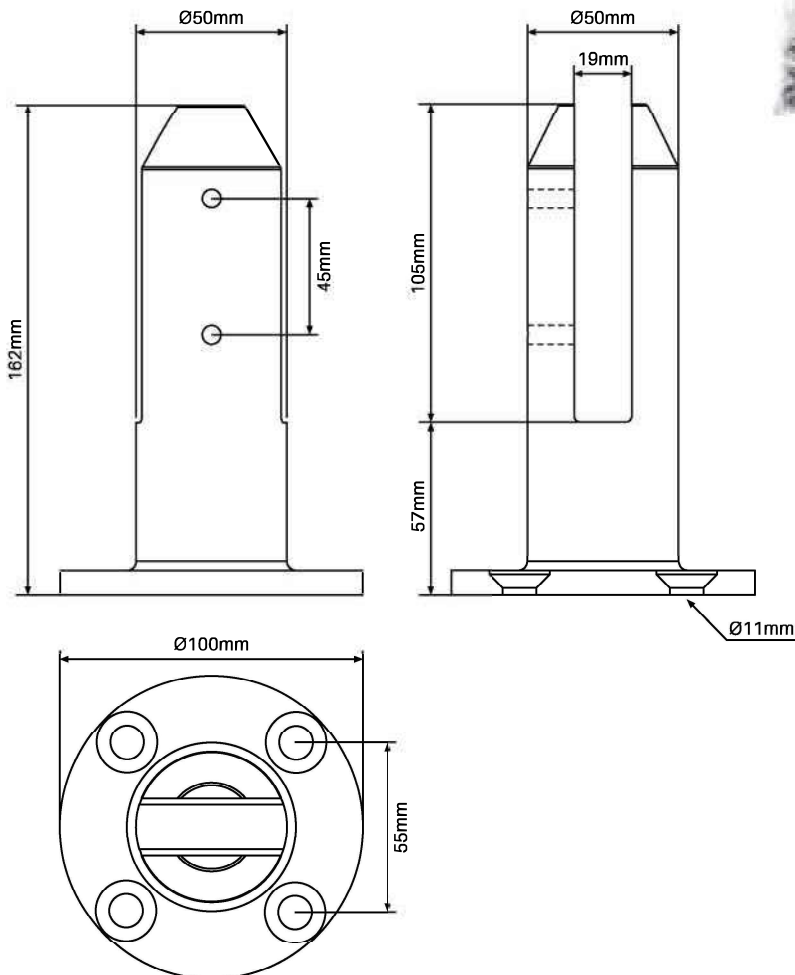
High domical cover

27mm high

Polish or satin finish

Order Code: RIO-HDC-P
RIO-HDC-S

Consider when using
dynabolts or high
fixings & fasteners



See page 36 for
convenient timber &
concrete fixing kits for
base plated installs