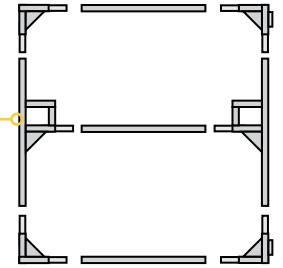


The easiest and most cost effective gate and panel framing system!

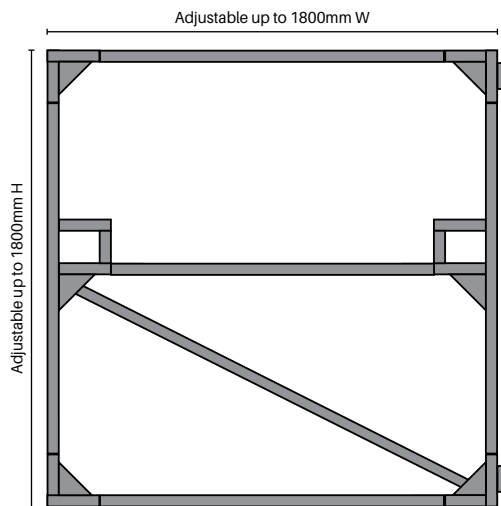
Simply assemble panels or gates and screw on cladding

- Corner stake construction with steel tube connector rails
- Height and width adjustable gate & panel frames
- Gates include pre-welded hinges
- Constructed with durable galvanised steel
- Simply screw on cladding: Timber, colourbond, aluminium or similar
- Gates & panels - fast, easy & cost effective!

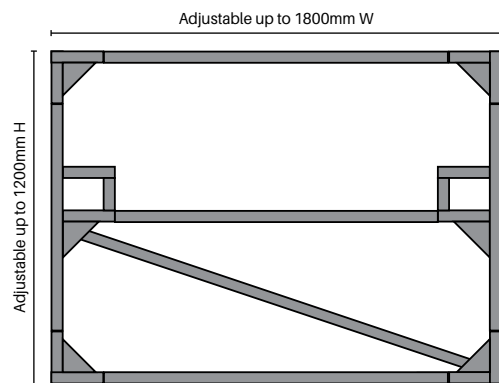


Pre-welded hinges included with all gates

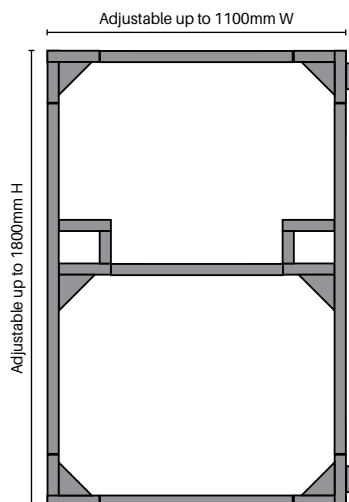
Simply hang gate on included hinge receivers



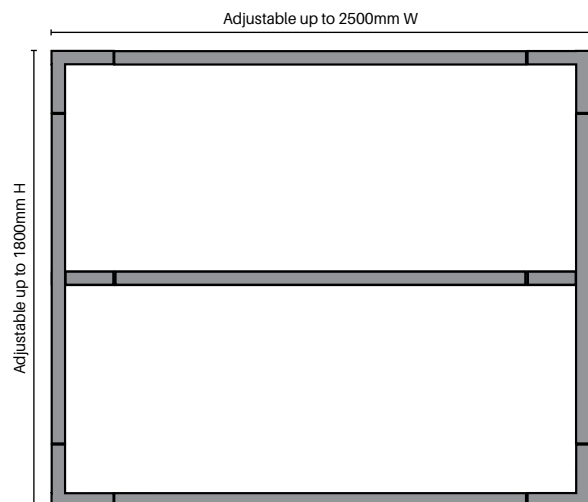
Gate
1800MM H x 1800MM W
Hinges included
Order Code: QFG-1800-1800



Gate
1200MM H x 1800MM W
Hinges included
Order Code: QFG-1800-1200



Gate
1800MM H x 1100MM W
Hinges included
Order Code: QFG-1100-1800



Panel
1800MM H x 2500MM W
Order Code: QFP-2500-1800

GATE INSTALLATION

ASSEMBLY SHOULD BE ON A FLAT SURFACE

1 MEASURE

Determine width and height of gate by measuring between gate posts.

Allow clearance for hinges & latch:

- 15 to 30mm for a single gate
- 30 to 50mm for a double gate

Don't forget to allow for ground clearance.

2 MARK AND CUT TO SIZE

Mark the horizontal rails at the required length, they should be 300mm shorter than gate width to allow for 2 gate corner pieces. Mark the vertical rails at the required length, again allow 300mm for the corner pieces.

To keep the mid-rail in the centre of the gate, trim an even amount off each end of vertical rails.

Check measurements and cut to the marked size.

3 ASSEMBLY

Determine which side the gate is hinged on.

Determine the top & bottom hinge (depends on whether swinging in or out).

Insert vertical rail into the 2 hinged corners.

Insert other vertical Rail into the remaining two corners.

Insert all Horizontal Rails.

Lay crossbrace on top of the gate ensuring it starts at the bottom near a hinged corner and ends at the opposing corner, mark and cut to size (if applicable).

Next separate bottom corner piece from the rails, fit the cross brace in position, and refit the corner piece (if applicable).

Check that the frame is square, then secure all parts in place with the screws provided.

4 HINGE ADJUSTMENT

The gate should slide down on to the hinge plates and the oil cap and ball bearing should be at the top of both hinges.

If they are not, they can be easily reversed, just remove the oil cap, then use the hinge plate and a hammer to gently tap the ball bearing until it snaps into top position.

Finally insert the Oil Cap on the top of the hinge.

Do not install with hinge upside down, ie. with ball bearing and cap at bottom of hinge, this allows water to fill hinge barrel and can cause hinge seizure.

5 INSTALL THE GATE

With the hinge plates in place, place the gate frame in position. Use a chock if needed to get the correct height.

Check that the gate is aligned correctly, then screw the hinge plates to the post.

Check that the gate opens & closes freely, adjust the hinge position on the post if necessary.

6 FINISHING

Fit the cladding and latch to the Gate Frame as required.

When fixing to the frame, do not pre-drill; use self-drilling screws (length approximately the thickness of material being fixed plus 20mm).

PANEL INSTALLATION

ASSEMBLY SHOULD BE ON A FLAT SURFACE

1 MEASURE

Determine width and height of panel by measuring between fence posts.

Don't forget to allow for ground clearance.

2 MARK AND CUT TO SIZE

Mark the horizontal rails at the required length, they should be 300mm shorter than panel width to allow for 2 corner pieces.

Mark the vertical rails at the required length, again allow 300mm for the corner pieces.

Check measurements and cut to the marked size.

3 ASSEMBLY

Insert vertical rail into 2 corners.

Insert other vertical rail into the remaining two corners.

Insert all Horizontal Rails.

Check that the frame is square, then secure all parts in place with the screws provided.

4 FIXING TO POSTS

Align panel with post and drill pilot holes in vertical rails to suits screws, then fix panel to posts.

6 FINISHING

Fit the cladding and latch to the Gate Frame as required.

When fixing to the frame, do not pre-drill; use self-drilling screws (length approximately the thickness of material being fixed plus 20mm).

